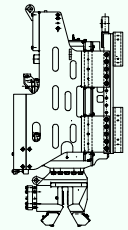
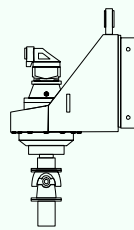


Applications for the ABI MOBILRAM-SYSTEM TM 12/15



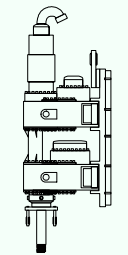
ABI Pile driving and extracting vibrator MRZV and MRZV-V
for installing and removing of

- sheet piles and trench sheetpiles
- steel beams and girders
- steel pipes / casings
- full displacement sections
- injection probes



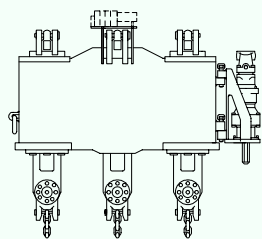
ABI Auger drive MBA
for augering operations as e. g.

- ground release augering and augering for ground investigation
- augering for soldier pile installation
- displacement augering
- CFA piles
- injection and soil improvement for foundations



ABI Double auger head system VDW 3525
for auger / drilling operations as e. g.

- pile walls (counterfort type, tangential, secant and on - the - wall)
- augering cased for soldier pile installation
- well construction (dewatering)
- injection and soil improvement for foundations
- displacement augering



ABI HYDRO-PRESS-SYSTEM HP
for the vibration-free pushing and extracting of

- cold-rolled steel sheet pile sections with interlock

ABI HYDRO-PRESS-SYSTEM HPZ
for the vibration-free pushing and extracting of

- steel sheet pile Z - sections

ABI - Custom-made innovations

All stated figures are approximate values which may change.

Design subject to modifications.

03/98

ABI GmbH
Boschstraße 8
D-63843 Niedernberg
Tel. +49 (0) 60 28 / 97 23 -0
Fax +49 (0) 60 28 / 47 69
<http://www.abi-gmbh.de>
e-mail: info@abi-gmbh.de

●●● Pile Driving

Your partner in civil engineering

●●● Extracting

●●● Augering

●●● Silent Piling

●●● with System



ABI MOBILRAM-SYSTEM TM 12/15

ABI Telescopic leader system

Technical Data **TM 12/15**

| | | |
|---|----|------------|
| Usable length | | |
| with pile driving and extracting vibrator (depending on type) | mm | ca. 14.500 |
| with auger drive | mm | ca. 15.000 |
| Underground lowering depth | mm | ca. 3.000 |

| | | |
|---|----|------------|
| Height - leader base set down, not telescoped, main boom in lowest position | mm | ca. 9.500 |
| Height - leader cylinders I and II extended main boom in highest position | mm | ca. 18.500 |
| Winch assembly height | mm | ca. 750 |

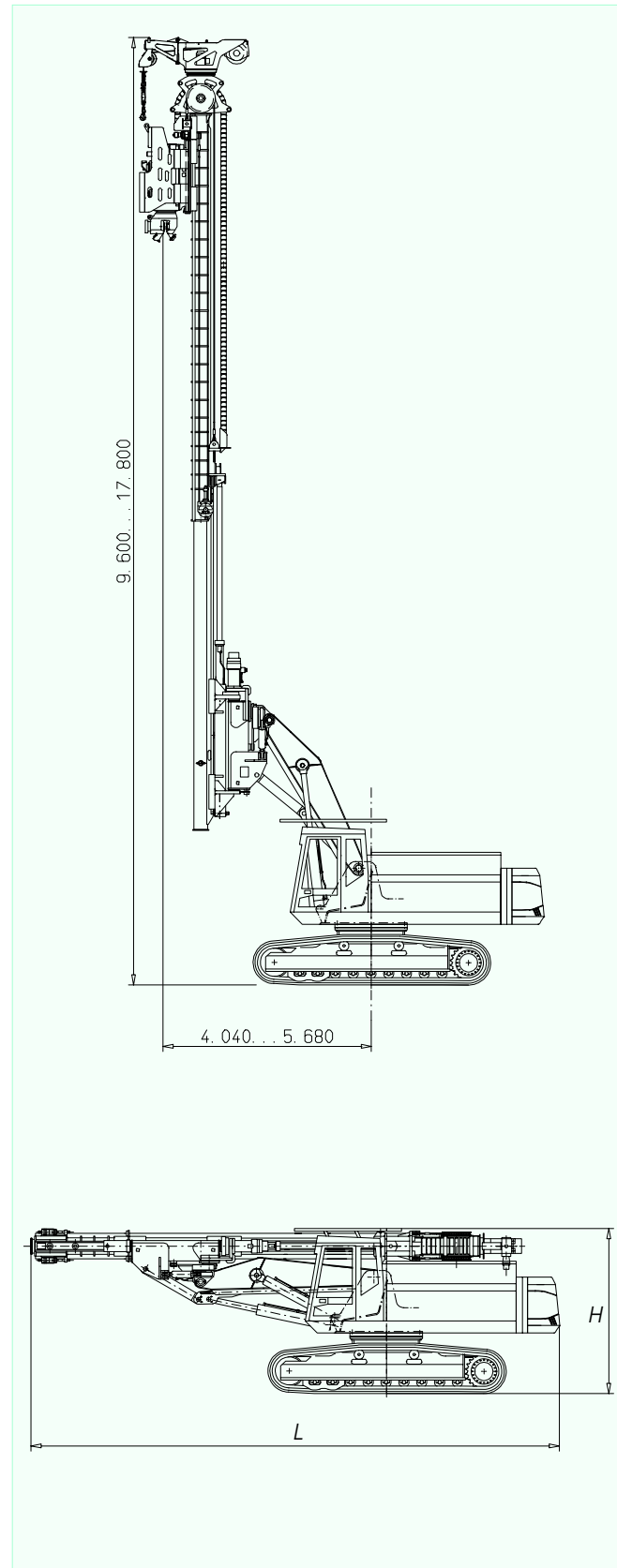
| | | | |
|---------------------------------------|------|------|-------|
| Prestressing force Leader cylinder I | kN | max. | 70 |
| Prestressing force Leader cylinder II | kN | max. | 90 |
| Extraction force Leader cylinder I | kN | max. | 140 |
| Extraction force Leader cylinder II | kN | max. | 175 |
| Torque absorption | daNm | max. | 3.100 |
| Lifting capacity Auxiliary winch | kN | max. | 50 |

| | | | |
|---------------------------------------|--------|------|-------|
| Leader inclination front/rear | degree | max. | ±4° |
| Leader inclination laterally | degree | max. | ±4° |
| Leader inclination transport position | degree | max. | - 90° |
| Leader slewing range | degree | max. | ±100° |

| | | | |
|---|----|-----|----------|
| Attachment weight incl. main boom and main boom cylinder | kg | ca. | 10.500 |
| Assembly weight Auxiliary winch | kg | ca. | 750 |
| Weight of piling equipment without attachment depending on carrier unit | t | ca. | 40 to 45 |

| | | | |
|-----------------------------|----|-----|--------|
| Transport dimensions | | | |
| Length L | mm | ca. | 10.500 |
| Width | mm | ca. | 3.000 |
| Height H | mm | ca. | 3.350 |

All stated figures are approx. values which may change depending on the carrier type.

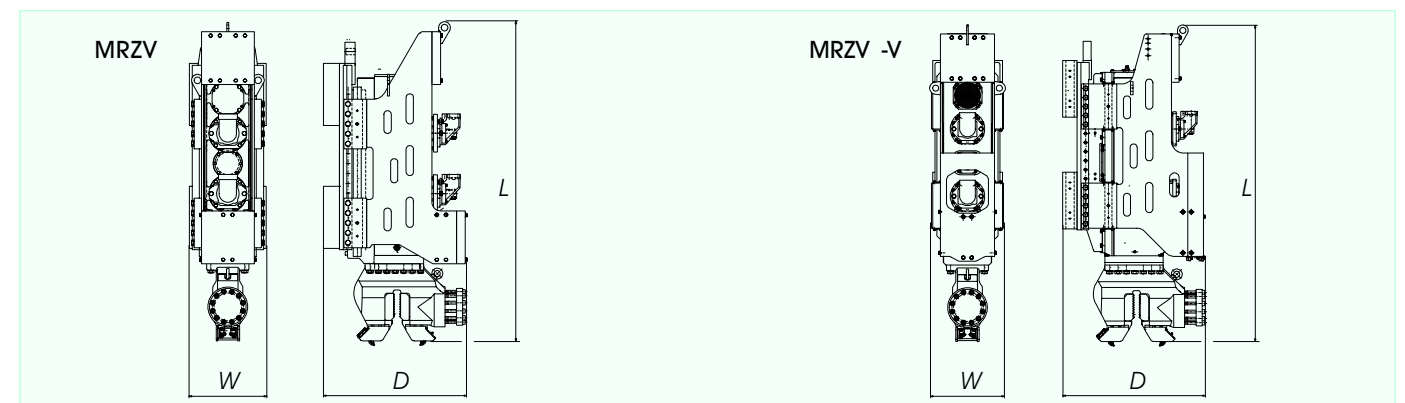


ABI Pile driving and extracting vibrators

Technical Data

| | | MRZV 600 | MRZV 700 | MRZV 800 | MRZV 600V | MRZV 800V | MRZV 925V |
|-------------------------------------|-------------------|----------|----------|----------|-----------|-----------|-----------|
| Centrifugal force at max. frequency | kN | 600 | 700 | 800 | 600 | 800 | 925 |
| Static moment | kgm | 8 | 10 | 12 | 0 bis 8 | 0 bis 12 | 0 bis 16 |
| Max. revolutions | min ⁻¹ | 2.620 | 2.530 | 2.470 | 2.620 | 2.470 | 2.300 |
| Required hydr. power at vibrator | kW | > 120 | > 160 | > 200 | >120 | >200 | >250 |
| Dynamic weight* | kg | 1.350 | 1.630 | 1.670 | 1.760 | 2.290 | 2.350 |
| Total weight* | kg | 2.300 | 2.690 | 2.730 | 3.020 | 3.470 | 3.770 |
| Clamping force with standard jaw | kN | 720 | 1.000 | 1.000 | 720 | 1.000 | 1.120 |
| Maximum weight of pile elements | kg | 1.500 | 1.800 | 2.000 | 1.500 | 2.000 | 2.500 |
| Length* L | mm | 2.115 | 2.460 | 2.460 | 2.270 | 2.670 | 2.670 |
| Width W | mm | 580 | 580 | 580 | 600 | 600 | 600 |
| Depth D | mm | 1.080 | 1.080 | 1.080 | 1.170 | 1.190 | 1.190 |

* including standard jaw assembly



ABI Auger drives

Technical Data **MBA 3100**

| | | |
|------------------------------------|---------------------|-------|
| Torque | daNm | 3.100 |
| Hexagon connection* | mm | 80 |
| Max. oil pressure | bar | 300 |
| Max. oil quantity | l/min ⁻¹ | 360 |
| Required oil quantity per rotation | l/rot. | 7,5 |
| Max. revolutions | min ⁻¹ | 48 |
| Max. auger diameter | mm | 1.000 |
| Total weight | kg | 930 |
| Length L | mm | 1.650 |
| Width W | mm | 700 |
| Depth D | mm | 1.000 |

* SW-M as socket / female

